



Broadcast Devices, Inc.

REM-400 Remote Control Panel

For Use with BDI Model #s ACS-400 and 5.1+Stereo Controllers

TECHNICAL REFERENCE MANUAL

**Broadcast Devices, Inc.
2066 E. Main Street
Cortlandt Manor, NY 10567
Tel. (914) 737-5032
Fax. (914) 736-6916**

REV: A 06/09

www.broadcast-devices.com

Table of Contents

The REM-100 Pushbutton Panel

Section	Page
I. Introduction	3
A. Unpacking and Inspection	3
B. Installation Instructions	3-4
II. Specifications	5
III. Warranty	6
IV. Schematic Diagram	7

I. Introduction and General Description

The REM-400 Remote Panel contains four groups of volume controls and a lighted momentary pushbutton switch mounted in a single EIA rack panel with accompanying connector bracket. Each volume control set is designed to control the numbered channel and the on/off control controls the muting of the pair of channels that it is grouped with. This arrangement is normally used with the BDI ACS-400 Monitor Controller. There is a second arrangement that has the first two controls and on/off control active and the test of the controls are not used. This is normally supplied with the BDI 5.1+ Stereo Controller. In this configuration the #1 control controls the first six channels of the unit for global control of a 5.1 mix. The #2 control controls channels 7 and 8 to form a stereo pair. A spare volume control board is supplied so that if the ACS-400 configuration is desired that the first module can be replaced as module #1 is specially modified to work with only the 5.1 + Stereo Controller configuration.

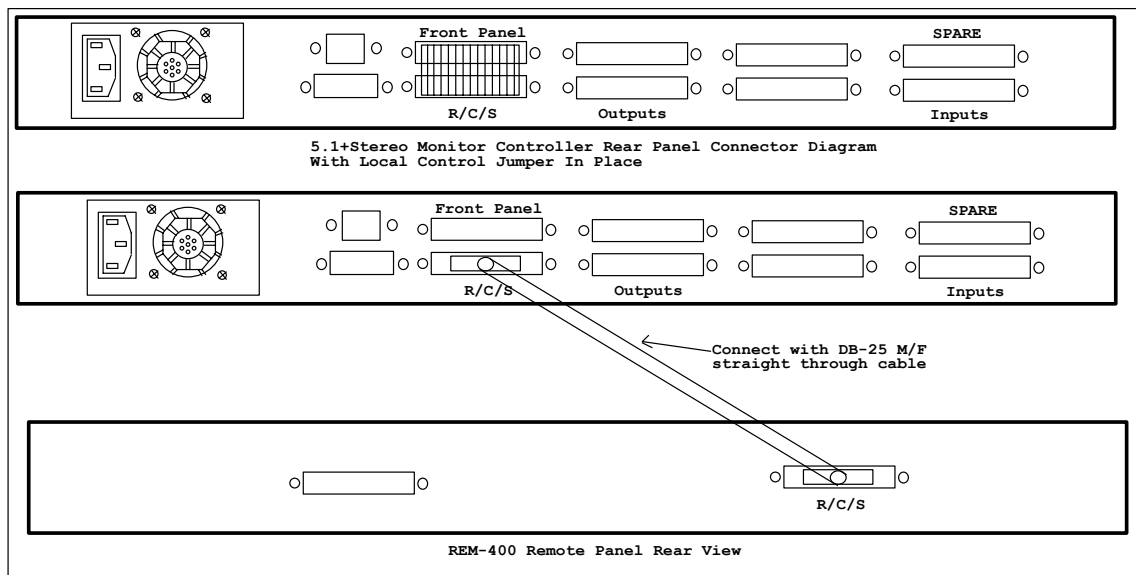
A. Unpacking and Inspection

Carefully unpack the unit after receipt and inspect for damage that may have occurred during shipping. If damage is noted, contact the shipper immediately and file a damage claim. The contents of the package have been insured to cover total replacement cost. Make certain that the package contents are the same as noted on the packing slip. If not, contact Broadcast Devices, Inc. Check to make sure all mechanical parts are secure.

B. Installation Instructions

Connect the supplied DB-25 connector from the remote control connector on the BDI ACS-400 or 5.1 Monitor Controller to the rear of the REM-400. Note: For 5.1+Stereo Monitor Controllers remove the ribbon connector cable that jumpers the front panel controls to the remote control connector. This disables the front panel controls. If it is desired to have either the front panel or remote control operate the 5.1 + Stereo Monitor Controller it is possible to use a DB-25 A/B switch controller similar to those used in the computer industry to connect either the remote panel or the local control of the unit. Place the front panel connector and the remote connectors on the A and B inputs of such a switcher and then take the output of the switcher and connect it to the remote control input. BDI offers the 8/16 Switcher for this purpose which also allows for remote control of this remote control routing. Contact the factory for wiring details and availability.

The diagram below shows proper connection.



II. Specifications

# of Controls	8 Audio Taper
Switch Contact Type	Momentary
Output Connector	DB-25 Male
Power Requirements	12 VDC to energize LED's powered from ACS-400 or 5.1 + Stereo Controller

III. Warranty

Broadcast Devices, Inc. products are warranted against failure due to faulty materials or workmanship for a period of one year from the date of shipment to the ultimate user. The warranty covers repair or replacement of defective parts at the factory, provided the unit has been returned prepaid by the user. All shipments to the factory shall have affixed to the outside of the container an R. A. number obtained from the factory. The above warranty is void if the unit has been modified by the user outside of any recommendations from the factory or if the unit has been abused or operated outside of its electrical or environmental specifications. If customer conducted field tests suggest that the unit may be faulty, whether or not the unit is in warranty, a full report of the difficulty should be sent to Broadcast Devices, Inc. factory at Cortlandt Manor, New York. The office may suggest further tests or authorize return for factory evaluation.

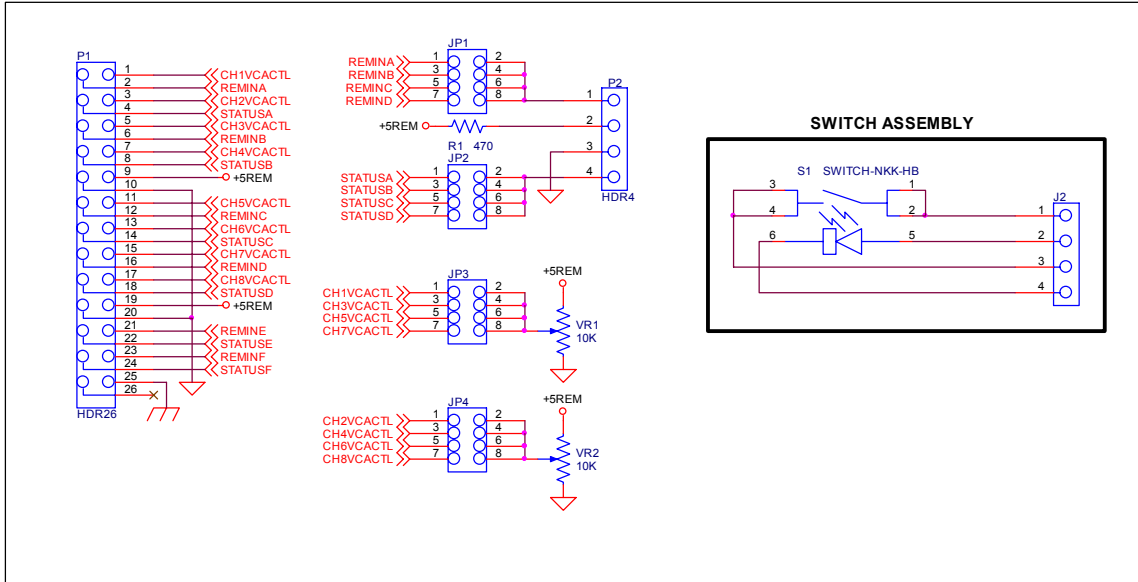
Units sent to the factory should be well packed and shipped to Broadcast Devices, Inc. 2066 E. Main Street, Cortlandt Manor, NY 10567. Remember to affix the R.A. number to the outside of the carton. Any packages received without such R.A. number will be refused. Note: freight collect shipments will also be refused. When the unit has been received, inspected and tested, the customer will receive a report of the findings along with a quotation for recommended repairs, which are found falling outside of the standard warranty. Units returned for in-warranty repairs which are found not to be defective will be subject to an evaluation and handling charge. In-warranty units will be repaired at no charge and returned via prepaid freight.

Out-of-warranty units needing repair require a purchase order and will be invoiced for parts, labor, and shipping charges.

When ordering replacement part, always specify A) Part number or Description, and Quantity; B) Date of Purchase, Where Purchased; C) Any Special Shipping Instructions. Always specify a street address, as shipping companies cannot deliver to a postal box.

Broadcast Devices, Inc. is not responsible for any other manufacturer's warranty on original equipment. Nor are we responsible for any failure, damage, or loss of property that may occur due to the installation or operation of our equipment outside of recommended specifications.

IV. Schematic Diagram – ACS-400 Version



5.1+ Stereo Version

